



Assembly video:
<https://q-ne.ws/30AyKxZ>

ASSEMBLY GUIDE

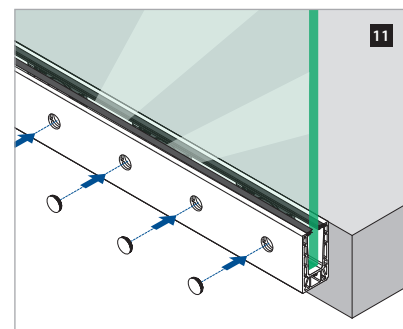
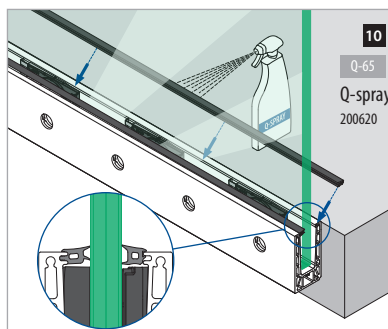
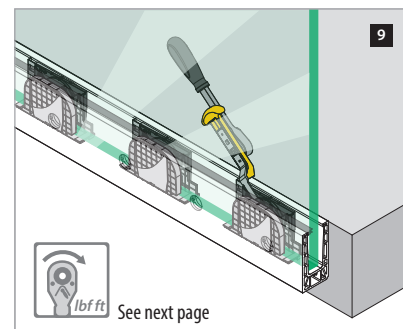
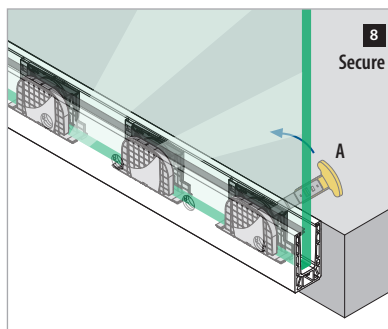
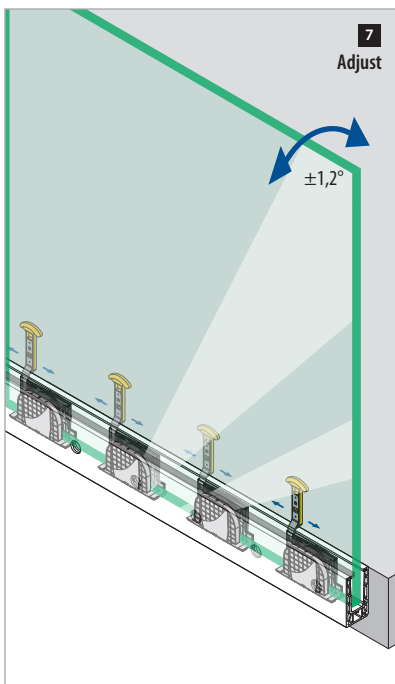
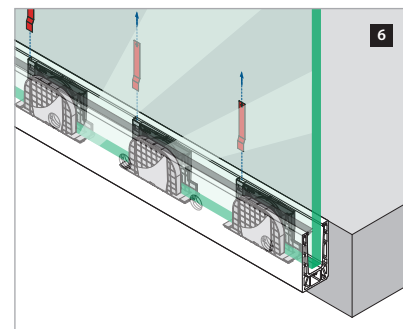
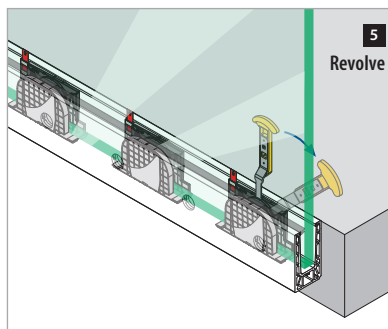
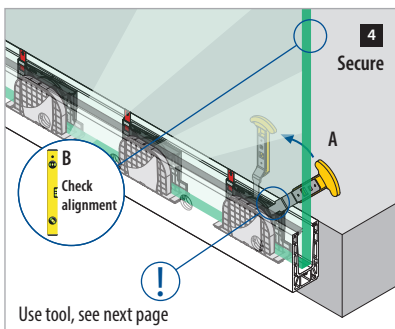
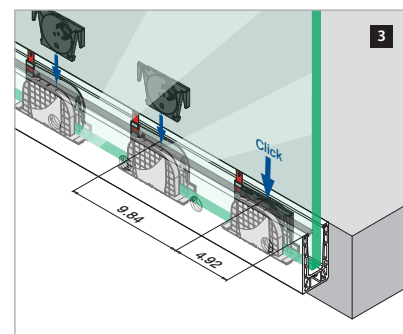
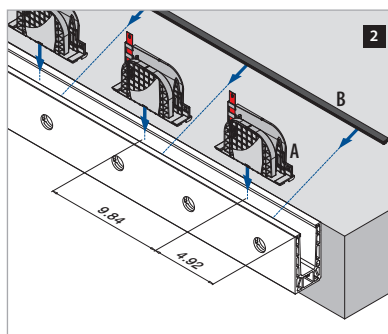
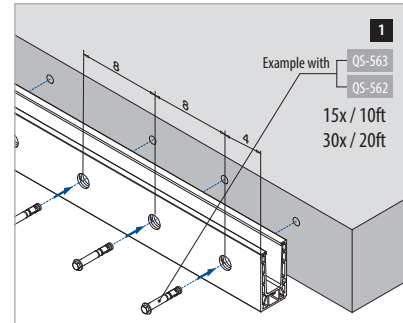
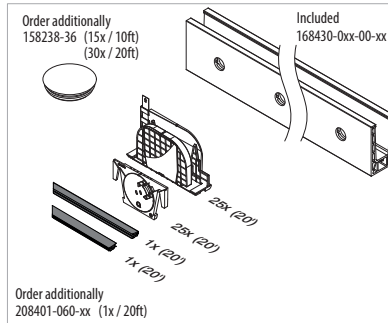
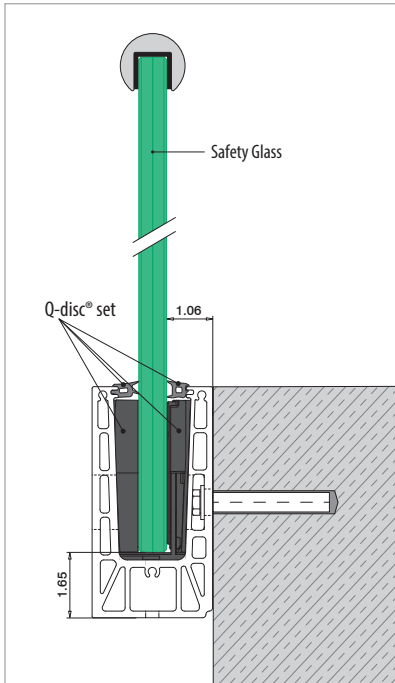
168430-0xx-00-xx

Railing base

EASY GLASS® PRIME FASCIA - Base shoe, fascia mount - US

For adjustable glass fixation

Q-INFO MOD 8430



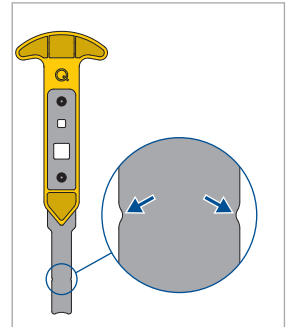
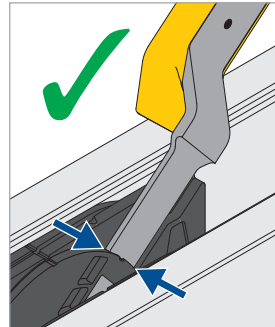
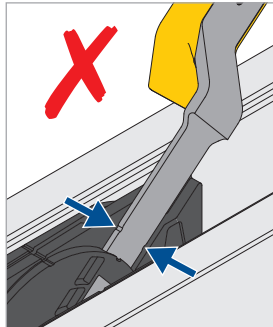
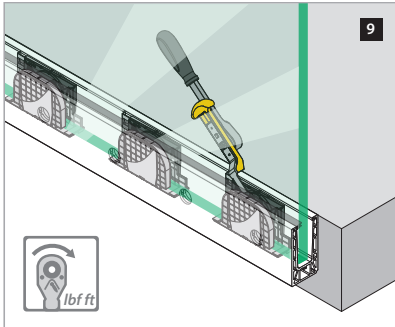


Q-disc® System

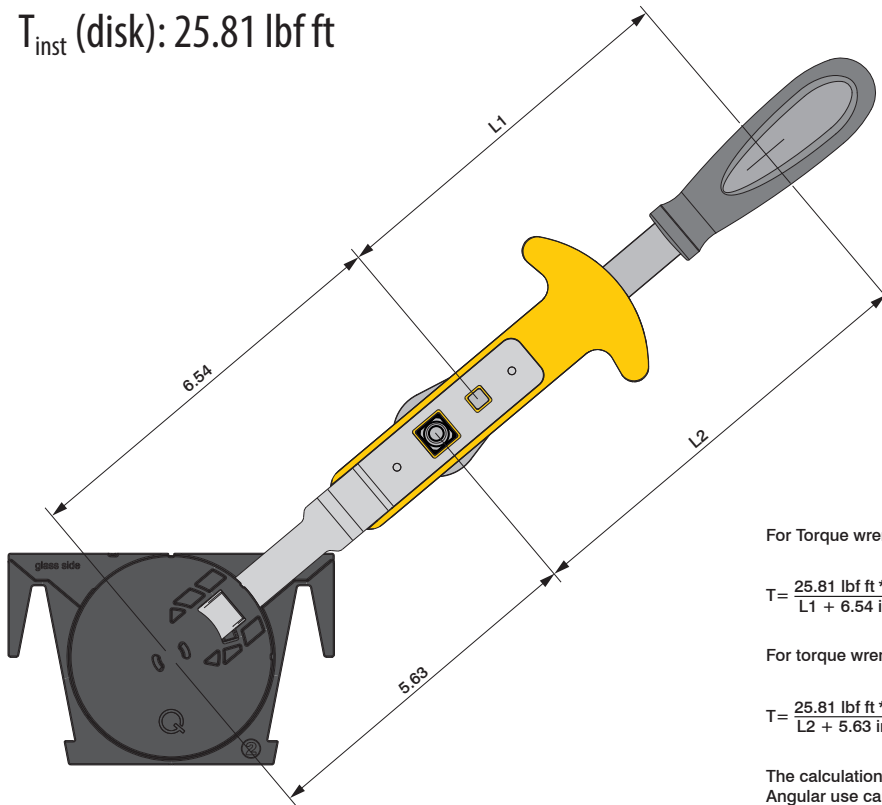
Q-disc and inlay tool

For adjustable glass fixation

Q-INFO MOD 8401 / 1000



T_{inst} (disk): 25.81 lbf ft



For Torque wrench 1/4":

$$T = \frac{25.81 \text{ lbf ft} * L1}{L1 + 6.54 \text{ inch}}$$

For torque wrench 1/2"

$$T = \frac{25.81 \text{ lbf ft} * L2}{L2 + 5.63 \text{ inch}}$$

The calculation is valid for straight-lined use. Angular use causes different torque.

Accessories

Glass guide

Q-INFO MOD 1025

